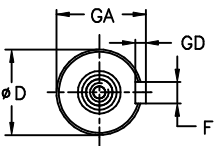
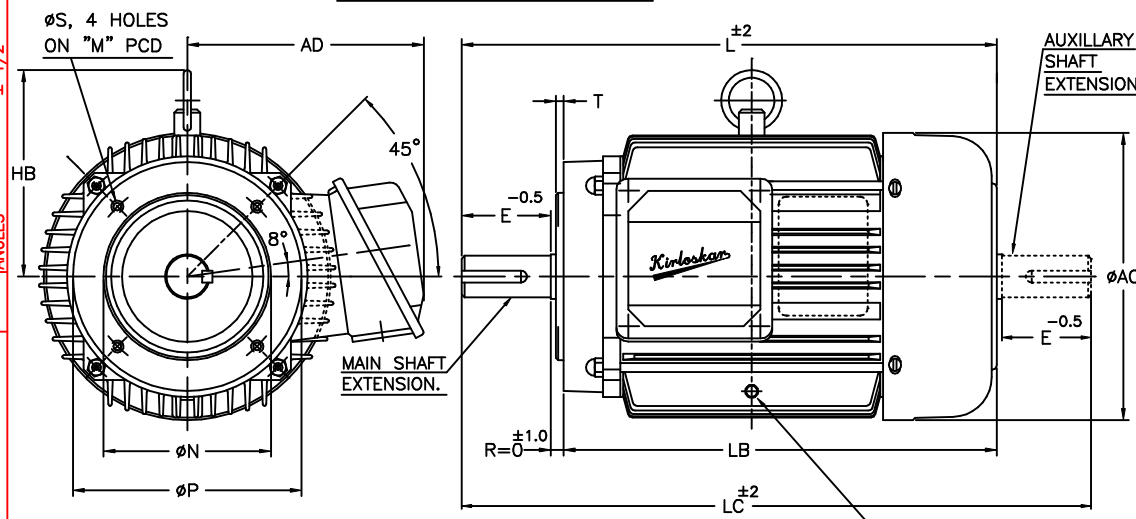


UNMENTIONED TOLERANCES  
 LINEAR ABOVE 0 6 315 1000  
 DIMENSIONS(S)UPTO 6 315 1000 2000  
 (MACHINED)TOL. ±0.2 ±0.5 ±0.8 ±1.2  
 ANGLES ± 1/2°

ALL INFORMATION CONTAINED IN THIS DOCUMENT IS CONFIDENTIAL AND THE PROPERTY OF KIRLOSKAR ELECTRIC CO.LTD. REPRODUCING OF THESE IN ANY FORM IS TO BE DONE WITH THE SPECIFIC PERMISSION OF THE COMPANY.

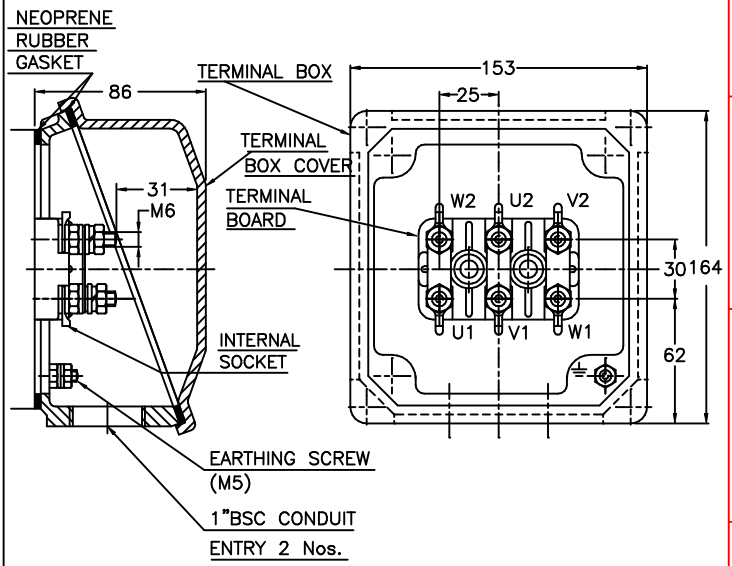
**DIMENSIONAL DRAWING**



- NOTE :**
1. DIMENSIONS ARE AS PER IS:1231 & 2223
  2. DEGREE OF PROTECTION: IP:55.
  3. TOLERANCE ON 'D' : k6. TOLERANCE ON 'N' : j6.
  4. PROTECTED CENTRE HOLE AT SHAFT EXTENSION AS PER IS:2540. "M16 X 32" FOR 'D'- ø42
  5. TERMINAL BOX CAN BE ROTATABLE THROUGH 360° IN STEPS OF 90°.
  6. KEY & KEYWAY ARE AS PER IS:2048 & TOLERANCE ON KEYWAY IS P9.

**DETAILS OF MAIN & AUXILIARY SHAFT EXTENSION**

**TERMINAL BOX ARRANGEMENT**



**NOTE:** MAX. CABLE SIZE : MAIN-1x3Cx16 sqmm.

| SL. NO. | FRAME    | D  | E   | F  | L   | LC  | M   | N   | P   | S   | T   | AC  | AD  | GA | GD | LB  | HB  |
|---------|----------|----|-----|----|-----|-----|-----|-----|-----|-----|-----|-----|-----|----|----|-----|-----|
| 1       | CPM 160M | 42 | 110 | 12 | 596 | 705 | 215 | 180 | 250 | M12 | 4.0 | 310 | 250 | 45 | 8  | 486 | 216 |
| 2       | CPM 160L |    |     |    | 640 | 749 |     |     |     |     |     |     |     |    |    | 530 |     |

**Z122624100JR**

SURFACE ROUGHNESS (MAX) AS PER KSD-02-027  
 Ra μm 50 12.5 25 1.6 3.2 6.3 0.2 0.4 0.8 0.025 0.05 0.1  
 OLD NEW UNMENTIONED  
 CHAM: RAD: UC:

|      |      |         |                          |           |          |                         |
|------|------|---------|--------------------------|-----------|----------|-------------------------|
| 1    | -    | 0122209 | REDRAWN IN A NEW FORMAT. | Sd/-      | 10/01/09 | QA MARKETING PRODUCTION |
| REV. | ZONE | DCN.No. | BRIEF RECORD             | SIGNATURE | DATE     | PRINTS ISSUED TO        |
| 8    |      |         | 7                        |           | 6        | 5                       |

THIS SUPERSEDES ..... FROM dt ..... AS PER DCN No.....  
 THIS SUPERSEDED BY ..... FROM dt ..... AS PER DCN No.....

| MATERIAL SPECIFICATION                               | RAW MATERIAL SIZE | WEIGHT kg        | SCALE       |            |             |          |
|--|-------------------|------------------|-------------|------------|-------------|----------|
| -  | -                 | RM FIN.          | N.T.S.      |            |             |          |
| CASTING/FAB REF. USED ON                             |                   | No.P.S.: -       | REDRAWN     | CHECKED    | STANDARD    | APPROVED |
| CPM160   |                   | sd/-             | sd/-        | sd/-       | sd/-        |          |
| TITLE: DIMENSION SHEET                               |                   | dt.10/01/09      | dt.10/01/09 | dt.10/1/09 | dt.10/01/09 |          |
| KIRLOSKAR ELECTRIC COMPANY LTD. HUBLI-580030 (INDIA) |                   | SHEET ONE OF ONE |             | 32262498R1 |             |          |

FORM No. 02 201 02B (ISSUE 7)